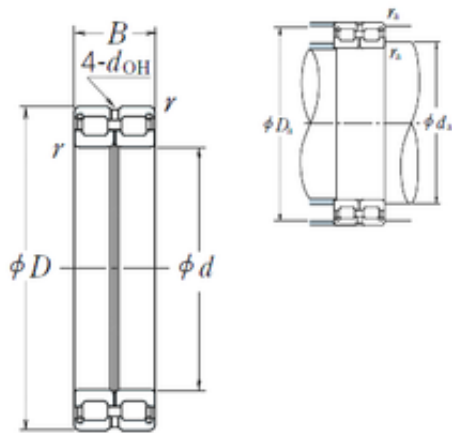




# AMERICAN BEARING MFG.CORP.

## RS-4938E4 NSK CYLINDRICAL ROLLER BEARING



Bearing No. RS-4938E4

RS-4938E4 Bearing 2D drawings and 3D CAD models

Size	190x260x69 mm
Bore Diameter	190 mm
Outer Diameter	260 mm
Width	69 mm
d	190 mm
D	260 mm
B	69 mm
C	69 mm
r min.	2 mm
da min.	199 mm
Da max.	251 mm
ra max.	2 mm
Weight	11,1 Kg
Basic dynamic load rating (C)	510 kN
Basic static load rating (C0)	1180 kN
(Grease) Lubrication Speed	500 r/min
hidYobi	RS-4938E4
LangID	1
D_	260
B_	69
hidTable	ecat_NSCLDRS
Oil rpm	500
mass	11.1
GRS rpm	1000
ra	2



## AMERICAN BEARING MFG.CORP.

da_min	199
C0	1180
DE_	240.2
Prod_Type3	CRB_FRFS_OT_FIX
DA_	15
Z_	47
yobi	RS-4938E4
da_max	251
SDM_	225.2
r	2
KBRG	4220
DI_	210.2
doh	6