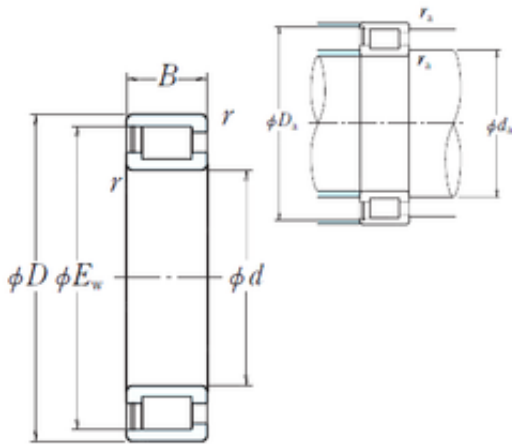




AMERICAN BEARING MFG.CORP.

NCF1876V NSK CYLINDRICAL ROLLER BEARING

Bearing No. NCF1876V



NCF1876V Bearing 2D drawings and 3D CAD models

Size	380x452.8x46 mm
Bore Diameter	380 mm
Outer Diameter	452,8 mm
Width	46 mm
d	380 mm
D	480 mm
Ew	452,8 mm
B	46 mm
C	46 mm
r min.	2,5 mm
Da	458 mm
ra max.	2 mm
da	400 mm
Weight	18,6 Kg
Basic dynamic load rating (C)	575 kN